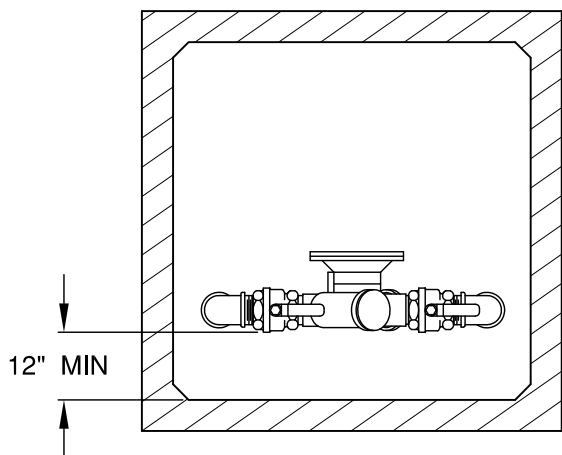


# DRAWING IS FOR REFERENCE ONLY

WHERE THE STRUCTURE IS PROPOSED  
OUTSIDE THE RIGHT OF WAY OR  
UTILITY EASEMENT

## VAULT SPECIFICATIONS

WATER LINE DIAMETER	MODEL
1"	UTILITY VAULT 3030-LA (OR EQUAL)
1-1/2" - 2"	UTILITY VAULT 3642-PUT (OR EQUAL)

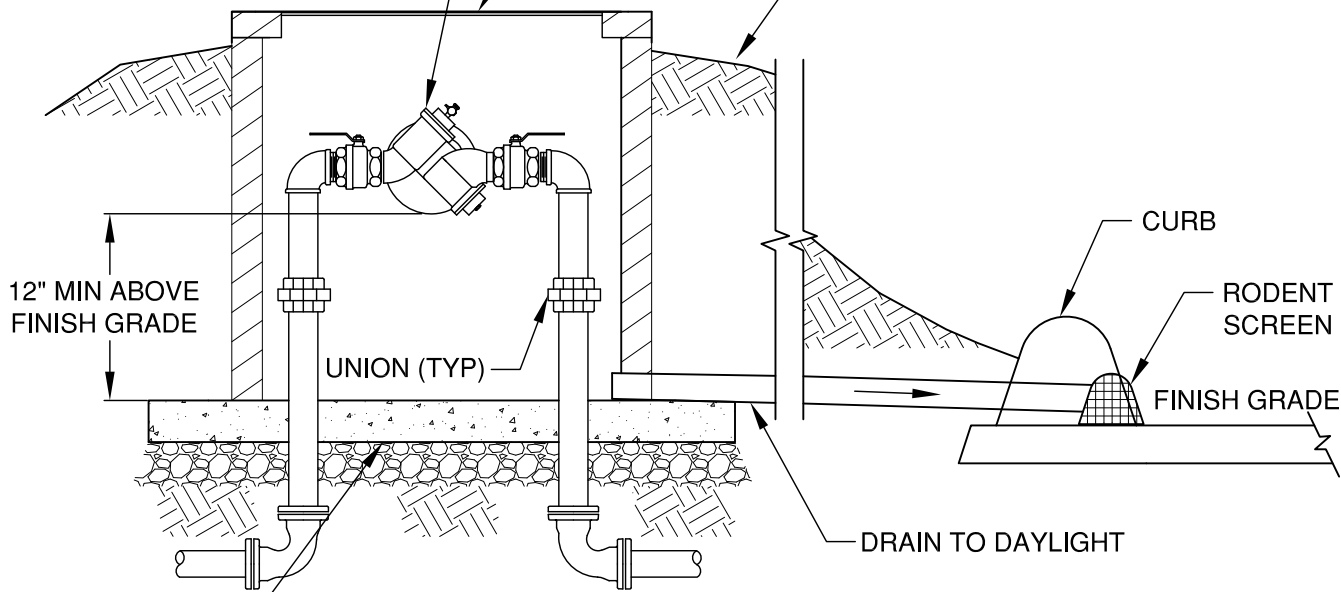


**PLAN**

OREGON STATE APPROVED  
PRESSURE BACKFLOW  
PREVENTER

HATCH

SLOPE EARTH AWAY FROM  
VAULT IN BERM AREA



12" MIN ABOVE  
FINISH GRADE

UNION (TYP)

CURB

RODENT  
SCREEN

FINISH GRADE

DRAIN TO DAYLIGHT

CONCRETE PAD  
ON 6" OF BASE ROCK

**ELEVATION**

**NOTES:**

1. THIS DRAWING IS FOR REFERENCE ONLY. INSTALL PER PLUMBING CODE AND BUILDING DEPARTMENT REQUIREMENTS.
2. REDUCED PRESSURE BACKFLOW ASSEMBLY TO BE LOCATED DIRECTLY DOWN STREAM OF WATER METER
3. BRASS, STAINLESS, OR PLASTIC PLUGS TO BE INSTALLED IN TEST COCKS IF BELOW GROUND INSTALLATION
4. HIGH OR LOW HAZARD CONNECTIONS SHALL BE IDENTIFIED AND VERIFIED WITH CITY CROSS CONNECTION SPECIALIST

DRAWN	LJC
DIV	WATER
REV	DATE



**CITY OF BEND**

**CITY OF BEND**

STANDARD DRAWING

710 NW WALL ST., BEND, OREGON 97701

**1"-2" REDUCED PRESSURE BACKFLOW ASSEMBLY**

SCALE NTS

DATE 12/1/17

APPR

STD DWG W-15A