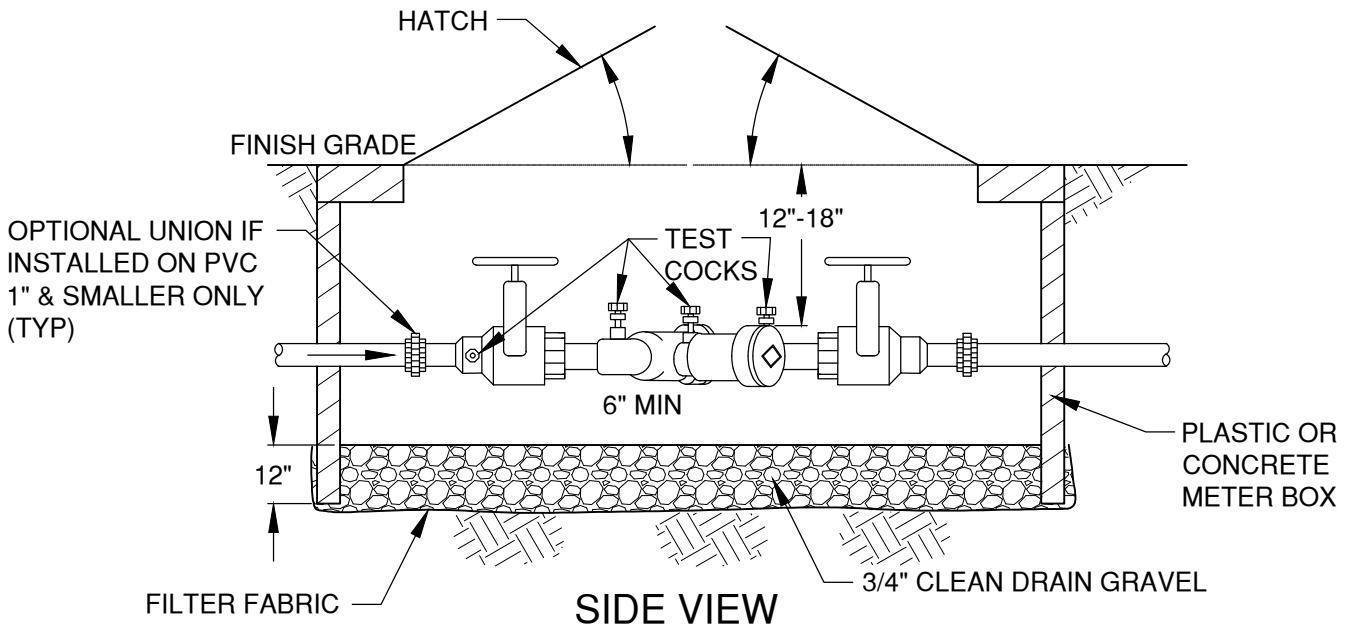


**TOP VIEW**



**SIDE VIEW**

**NOTES:**

1. DOUBLE CHECK VALVE ASSEMBLIES (DCVAs) MAY BE INSTALLED VERTICAL AS WELL AS HORIZONTAL PROVIDED THAT THE ASSEMBLY IS APPROVED FOR VERTICAL INSTALLATIONS
2. DCVAs MAY BE INSTALLED BELOW GRADE IN A VAULT PROVIDED WATER TIGHT, THREADED PLUGS ARE INSTALLED IN THE TEST COCKS, BUT THE ASSEMBLY SHALL NOT BE SUBJECT TO CONTINUOUS IMMERSION
3. BLOWOUT PORTS, WHEN REQUIRED MUST BE INSTALLED DOWNSTREAM OF LAST ASSEMBLY SHUTOFF
4. IF VAULT DEPTH EXCEEDS 4', USE OSHA APPROVED LADDER (SEE DRW NO W-6)
5. HATCH SIZE SELECTED TO MATCH VAULT DIMENSIONS

DRAWN LJC	
DIV WATER	
REV	DATE



CITY OF BEND

**CITY OF BEND**

STANDARD DRAWING

710 NW WALL ST., BEND, OREGON 97701

**TYPICAL DCVA INSTALLATIONS 2" AND SMALLER**

SCALE NTS

DATE 12/1/17

APPR

STD DWG W-13